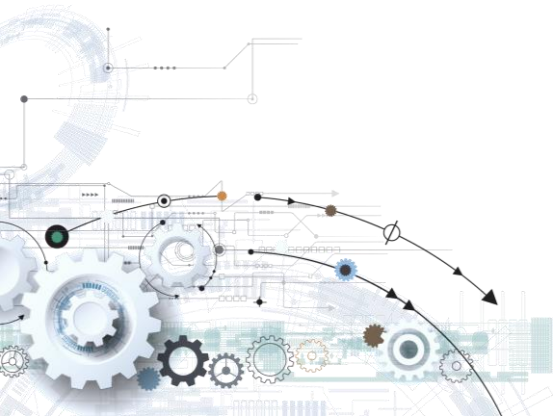
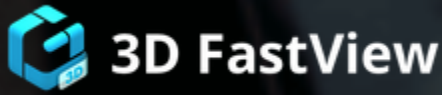


Engineering Software Solutions for Developing Regions.

Powerful, Affordable and Multi Format
Compatible

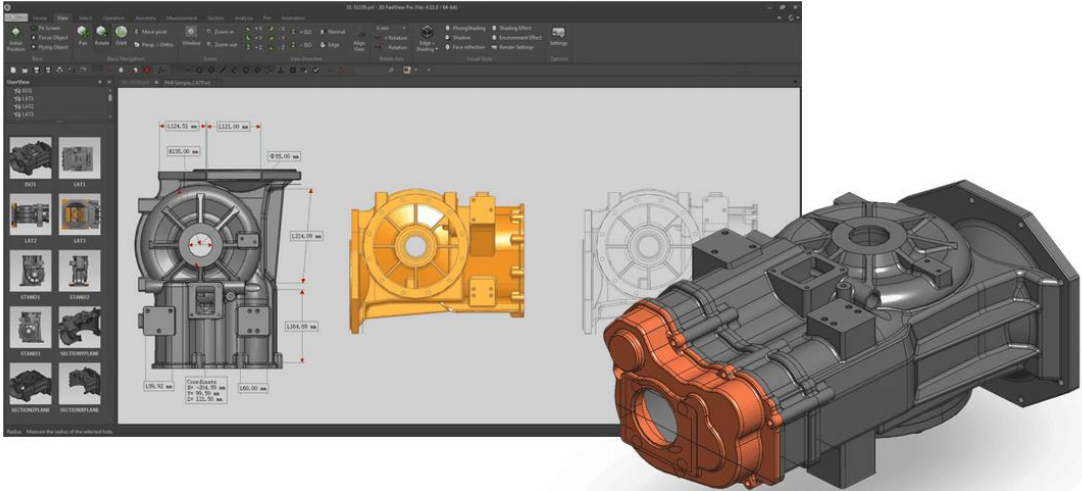
www.gstarcadza.co.za





What is 3D FastView?

3D FastView is the right solution to assemble, markup, translate and compress large 3D CAD files. The capability to handle and compress large 3D CAD files make all the relevant users in the enterprise access and communicate 3D data without expensive CAD license and high maintenance cost.



Supported File Formats:

CATIA V4/V5, NX, ProE, SOLIDWORKS, SOLIDEDGE, INVENTOR, JT, PARASOLID, 3DXML, STEP / IGES / ACIS / STL / HPGL.



Incredibly powerful and versatile tool for managing almost any CAD data / Drawing / Image type

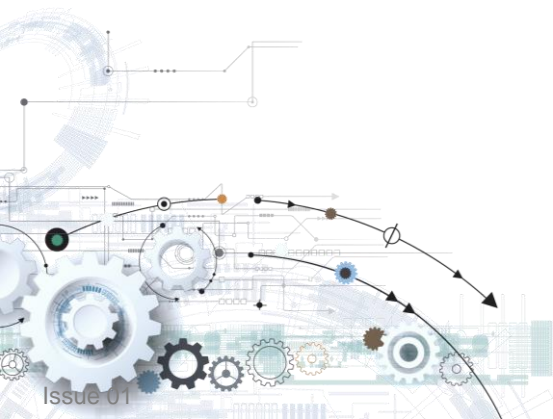
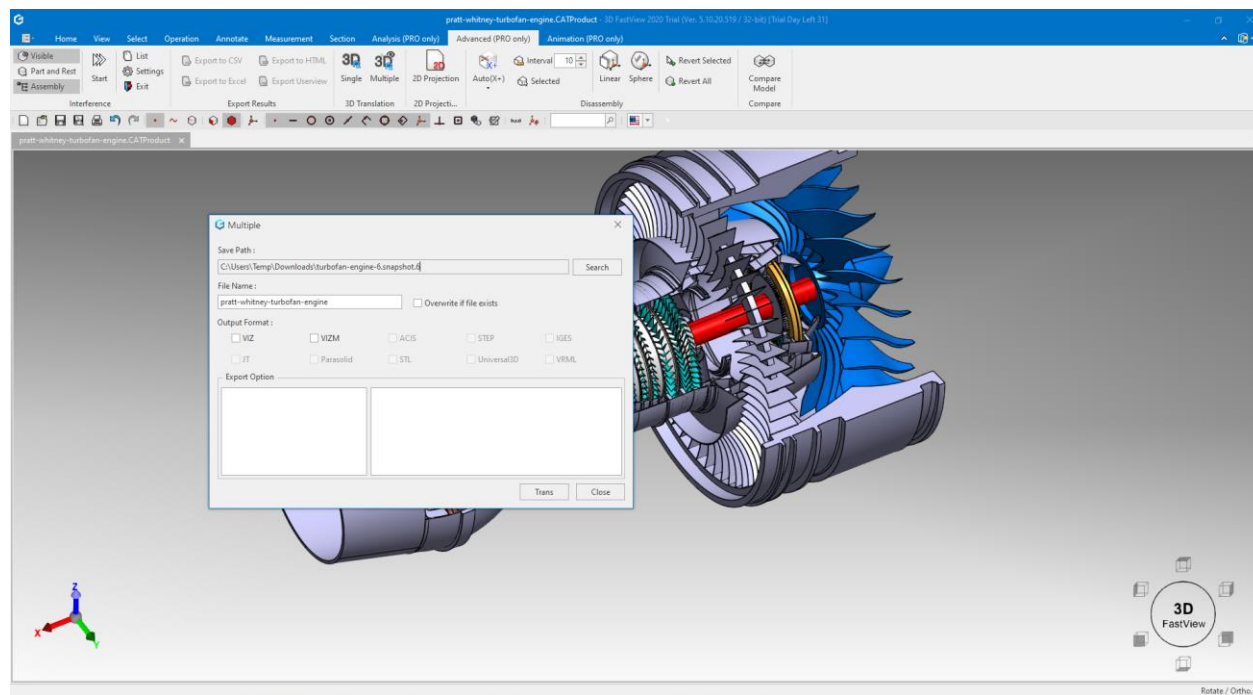
Once off Purchase, no annual fees, prices specifically tailored for developing regions

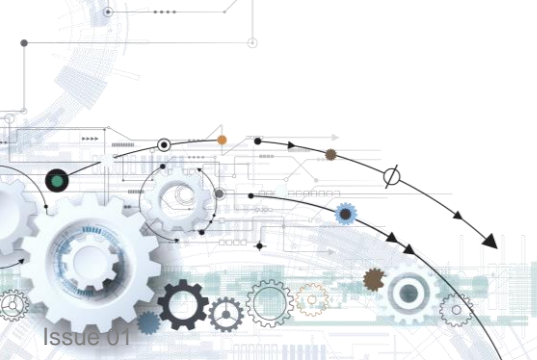
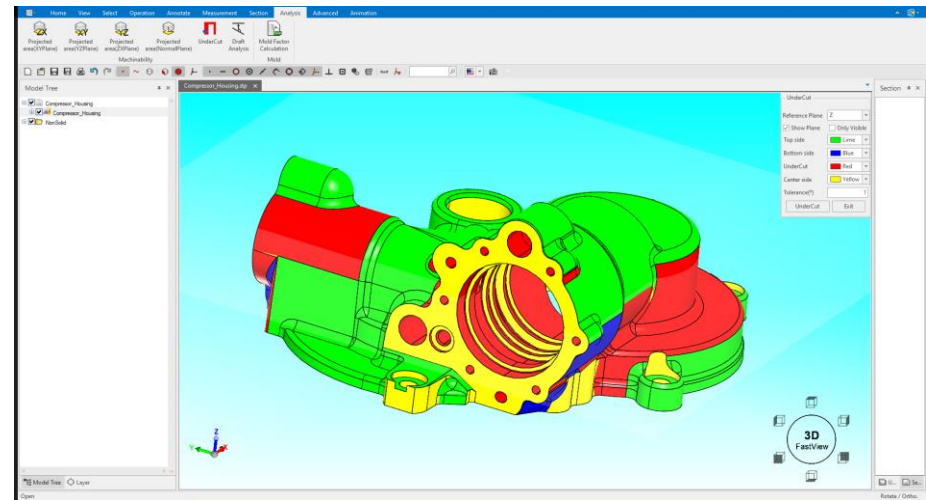
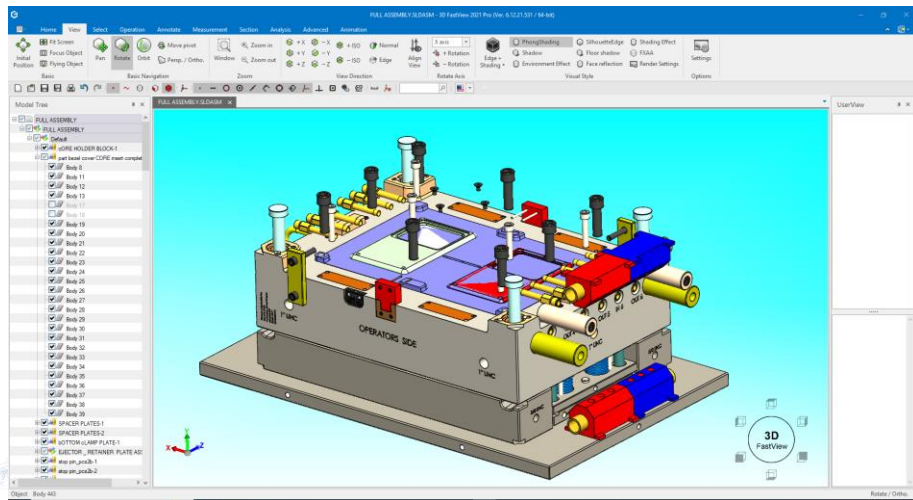
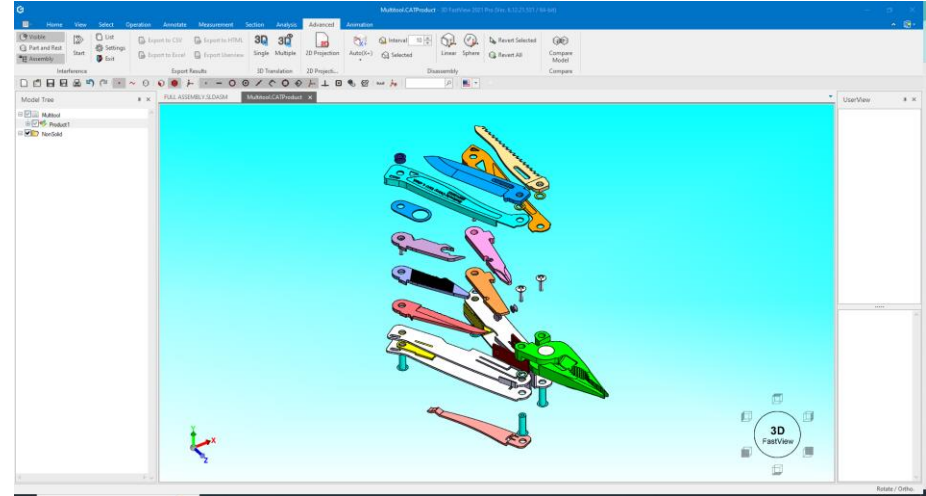
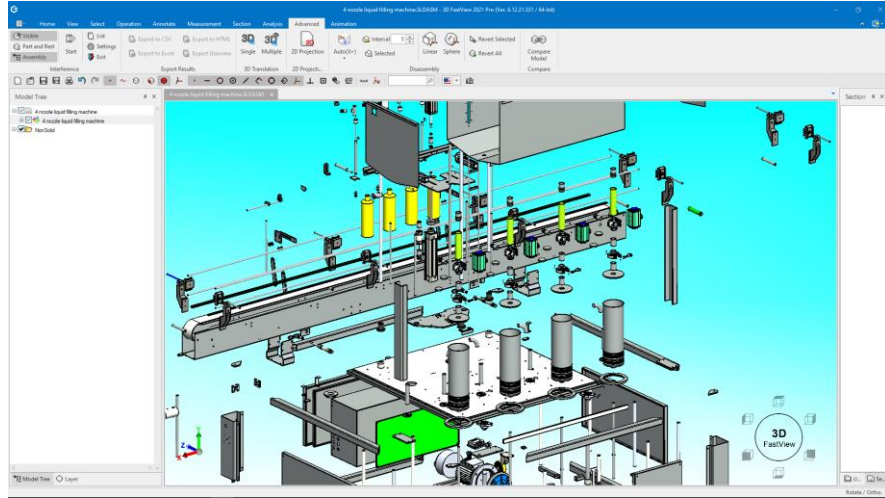
Afford a distinct advantage to toolmakers that need to interpret a variety of data formats from clients using different design tools

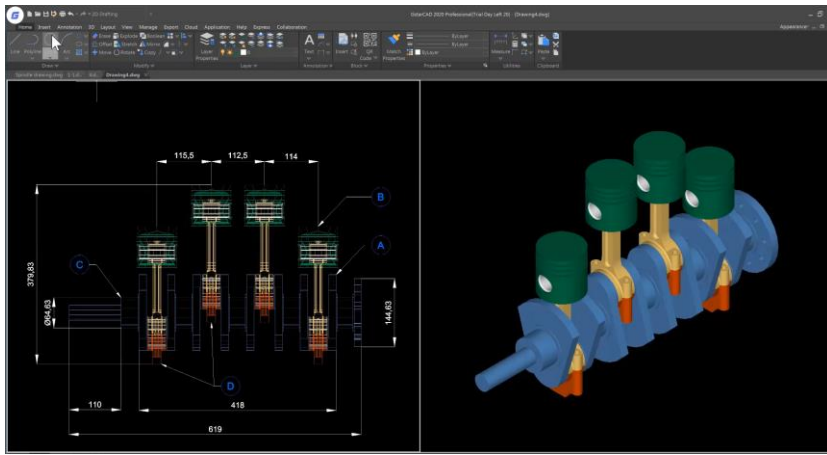
enabling smaller businesses to compete in, and benefit from inclusion in, broader global supply chains

CATIA V4/5, SW, SE, INVENTOR, JT, PARASOLID, STEP, 3DXML, ACIS, HPGL and Many More.

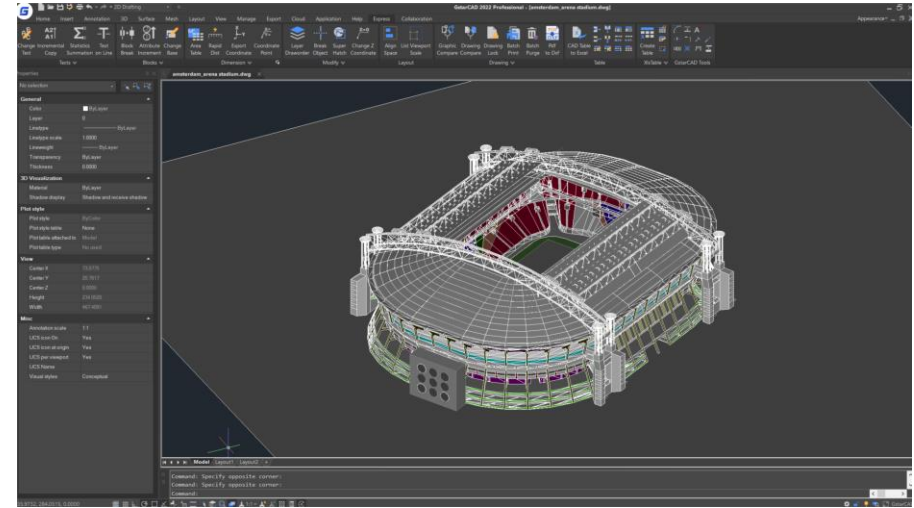
- Display of PMI/GD&T information, User customized views –
- Hide and show components' Assembly and Explosion view –
- Create and save animations, Creation of section cuts –
- Generate 2D projection, View 2D CAD drawings -
- Interference checking, Model compare / overlay -
- Drawing compare, Undercut Analysis



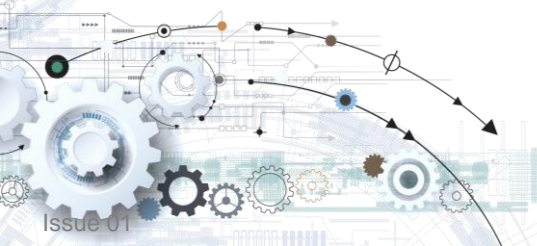
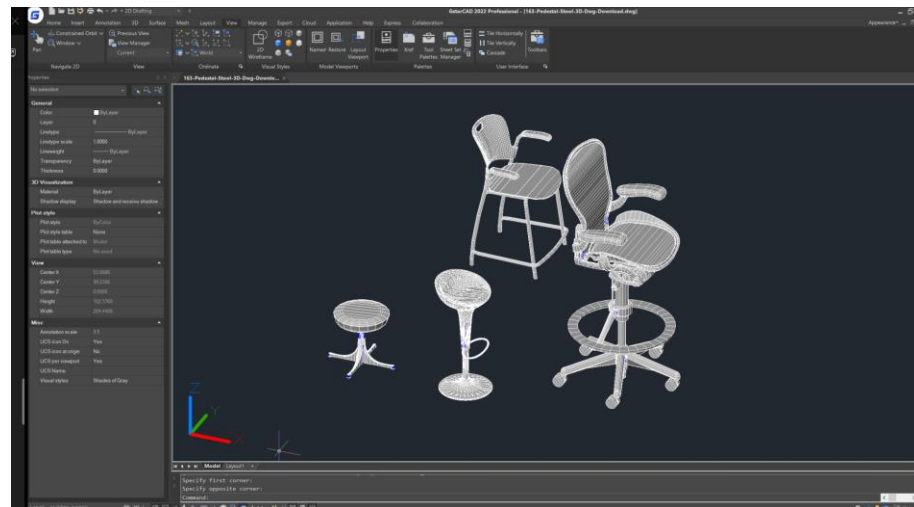
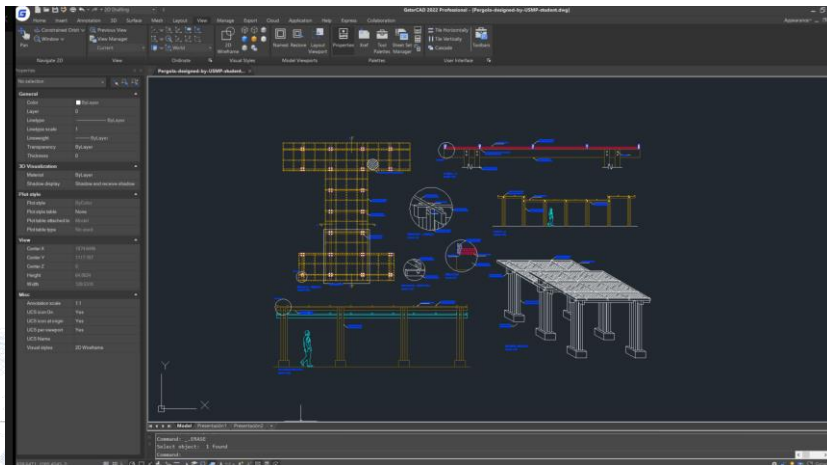




Gstar CAD Standard, Professional, Mechanical and Architectural are 100% ACAD compatible design packages



Low once off cost of ownership, no ongoing annual fees, upgrade as and when it suits you.



Download a free 30-day trial of any GstarSoft or 3DFastview package at our website today

Thank -You

Please visit: www.gstarcadza.co.za

Or contact us at: info@gstarcadza.co.za

Or call us on [087 806 3199](tel:0878063199)

